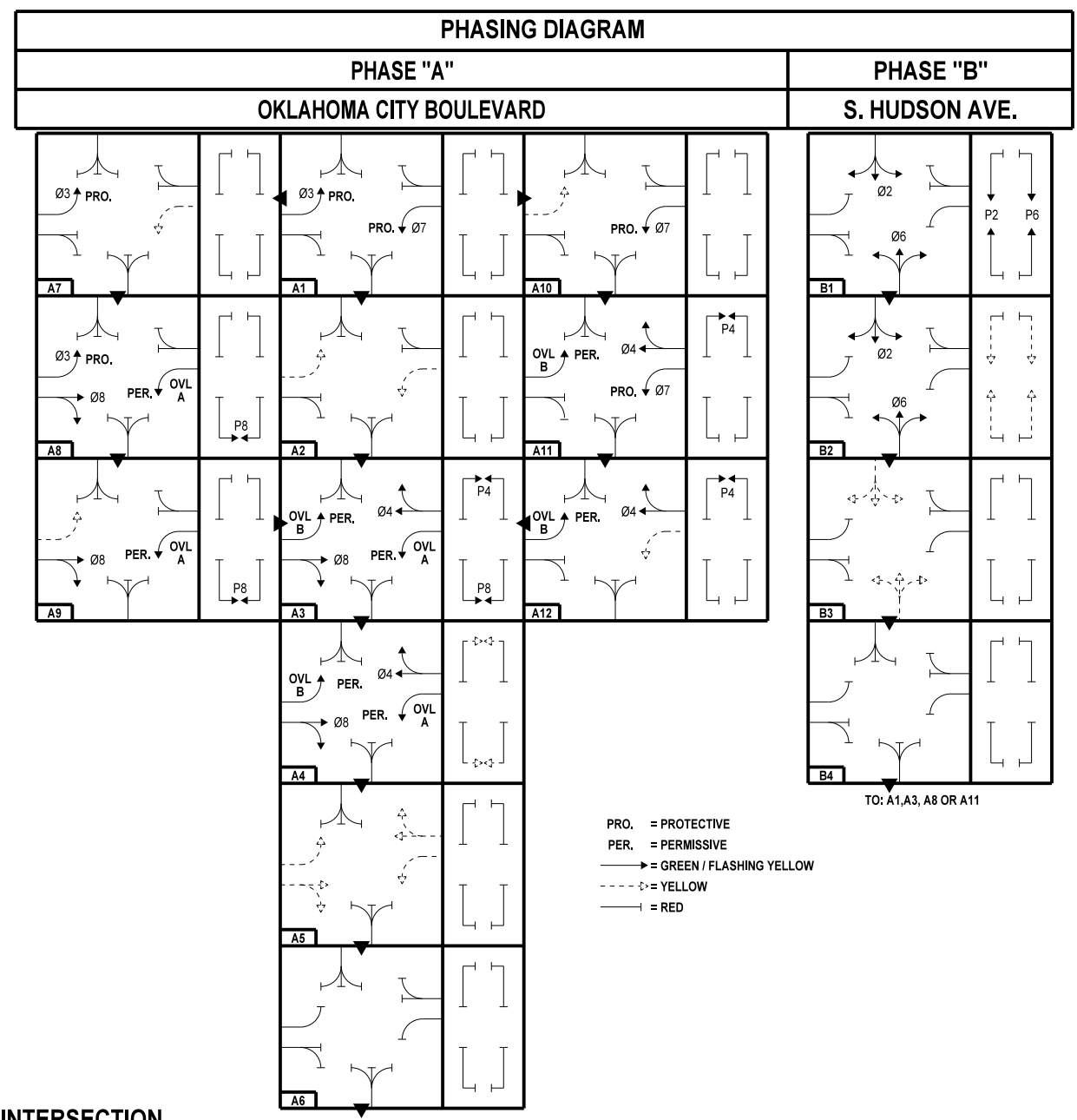
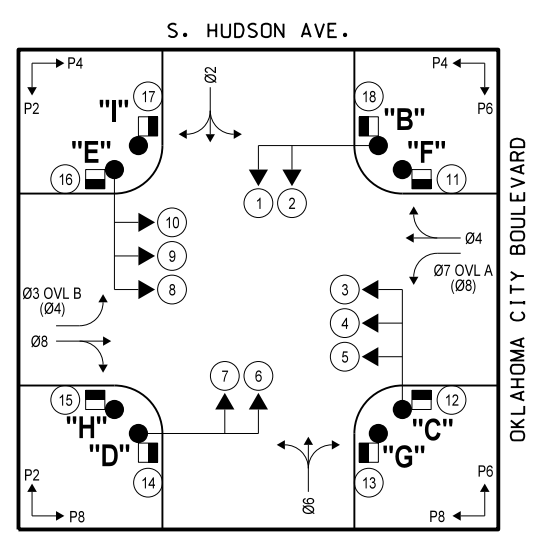


REVISIONS		
NO.	DESCRIPTION	DATE
1	REMOVED OVL C & D	03-15-16

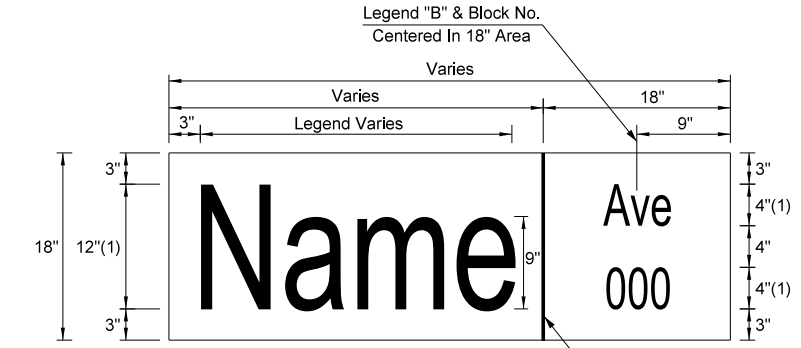


PRO. = PROTECTIVE
 PER. = PERMISSIVE
 → = GREEN / FLASHING YELLOW
 - - - = YELLOW
 | = RED

INTERSECTION PHASING & SIGNAL HEAD NO.'S



SEQUENCE CHART											
DIRECTION	BLOCK NO.	PHASE									
		Ø6	Ø3 OVL B	Ø8	Ø2	Ø7 OVL A	Ø4	P6	P8	P2	P4
		SIGNAL HEAD NO.									
		1,2	3	4,5	6,7	8	9,10	11,12	13,14	15,16	17,18
Ø3, Ø7 ROW	A1	R	←G	R	R	←G	R	DW	DW	DW	DW
Ø3, Ø7 CL	A2	R	←Y	R	R	←Y	R	DW	DW	DW	DW
Ø4, Ø8, OVL A, OVL B, P4, P8 ROW	A3	R	←F	G	R	←F	G	DW	W	DW	W
Ø4, Ø8, OVL A, OVL B ROW & P4, P8 CL	A4	R	←F	G	R	←F	G	DW	FDW	DW	FDW
Ø4, Ø8, OVL A, OVL B CL	A5	R	←Y	Y	R	←Y	Y	DW	DW	DW	DW
ALL RED	A6	R	←R	R	R	←R	R	DW	DW	DW	DW
Ø3 ROW & Ø7 CL	A7	R	←G	R	R	←Y	R	DW	DW	DW	DW
Ø3, Ø8, OVL A, P8 ROW	A8	R	←G	G	R	←F	R	DW	W	DW	DW
Ø8, OVL A, P8 ROW & Ø3 CL	A9	R	←Y	G	R	←F	R	DW	W	DW	DW
Ø7 ROW & Ø3 CL	A10	R	←Y	R	R	←G	R	DW	DW	DW	DW
Ø4, Ø7, OVL B, P4 ROW	A11	R	←F	R	R	←G	G	DW	DW	DW	W
Ø4, OVL B, P4 ROW & Ø7 CL	A12	R	←F	R	R	←Y	G	DW	DW	DW	W
Ø2, Ø6, P2, P6 ROW	B1	G	←R	R	G	←R	R	W	DW	W	DW
Ø2, Ø6 ROW & P2, P6 CL	B2	G	←R	R	G	←R	R	FDW	DW	FDW	DW
Ø2, Ø6 CL	B3	Y	←R	R	Y	←R	R	DW	DW	DW	DW
ALL RED	B4	R	←R	R	R	←R	R	DW	DW	DW	DW
FLASHING OPERATION	-	FR	←FR	FR	FR	←FR	FR	-	-	-	-

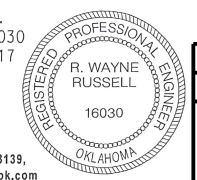


(1) LEGEND: Black (Non-ReflectORIZED) ClearviewHwy-1-B Half Spacing
 BACKGROUND: White (ReflectORIZED)

SUMMARY OF MAST ARM MOUNTED SIGNS							
LEGEND "A"	LEGEND "B"	POLE LOCATION	NO. OF SIGNS	SIGN LENGTH (IN.)	SIGN HEIGHT (IN.)	SIGN AREA (SQ. FT.)	TOTAL AREA (SQ. FT.)
Oklahoma City	Bld	B,D	2	120	18	15.00	30.00
S Hudson	Ave	C,E	2	84	18	10.50	21.00
R10-12M	-	C,E	2	30	36	7.50	15.00
TOTAL							66.00

NOTE: THE CONTRACTOR SHALL CONTACT THE CITY OF OKLAHOMA CITY TO OBTAIN THE BLOCK NO.

R. Wayne Russell
 R. WAYNE RUSSELL, P.E. # 16030
 C.A. # 1160, RENEWAL 06-30-17



11-13-15
 DATE
 Traffic Engineering Consultants, Inc.
 6000 S. Western, Suite 300 - Oklahoma City, OK 73139,
 Ph: 405-720-7721, Fax: 405-720-9848, Web: www.tecok.com

Design	RWR	03-15-16
Drawn	SB	03-15-16



SIGNAL DETAIL PLAN
S. HUDSON AVE. & OKLAHOMA CITY BOULEVARD
 State Job No. 174281(89) Sheet No. T5